

A COMPLETE RANGE OF

INTRUSION ALARM SYSTEMS & SENSORS AND GSM AUTO DIALER



Proudly Protecting Your Sphere



SENSOR



WIRED SHUTTER SENSOR

- Aluminum Body with Mounting Holes
- Connecting Mode: NC
- Operating Gap: min. 35 mm - 55 mm
- Contact Rating: 0.5 A
- Suitable for Heavy Duty Steel Doors, Shutter
- Unique design
- Non Corrosive Property



WDMS +

- Battery Life: Up to 5years
- Micro Controller Based System
- Long Range: 133 meter Line of Site
- Attractive Design
- Battery Type: 1.5Vdc (AA Pencil)



SLIT PIR /PET IMMUNE

- Operating Voltage: 9Vdc - 24Vdc
- Detection Angle: 15°/110°
- Detection Distance: 9m/12m
- Wall/Ceiling Installation
- Dual Temperature Compensation
- Settable Relay O/P: NC/NO



STAND ALONE SMOKE DETECTOR

- Operating Voltage: 9 VDC
- Sensor Type: Photo Electron
- Standby Current: 12 uA
- Battery Life: Up to 1/10 Years
- Sound Level: 85 db



HEAT DETECTOR

- Operating Voltage: 9Vdc - 24Vdc
- Low Standby Current
- Visual Alarm Indication
- Remote LED Indicator Output / PFC Output
- Rate of Rise



iVS

- Operating Voltage: 12 VDC
- Hi-tech Digital Signal Processing Technology. Differentiates knocks or vibrations due to windows/door opening/closing, heavy blows
- Senses drilling, chipping & cutting activity
- PFC Output
- Sensitivity Adjustment



i-CHeST

Ideal Sensor for ATMs, Chests, Safes

- Chest Door Open Sensing
- Heat Detection Above 60°C
- Shake-vibration Detection
- Tilt Sensing: more than 30°
- Tamper Detection PFC Relay o/p: 4 NC x 1 NO
- Open Collector Output



GLASS BREAK SENSOR

- Detection Range : Radius of 180 cm
- Detection Method : Piezoelectric
- Weight : 13g
- Dimension : 1.4"R x 0.43" (36.5R (Inches/mm) x 11mm)



PANIC SWITCH

- Push Type Panic Switch
- NC or NO for Choice
- Resettable
- 7.5 x 2.5 x 2 (LxBxH)



GAS LEAK DETECTOR

TSP230HLB RVBT

- Life of 4-5 Years
- Dimensions: 111 mm x 90 mm x 40 mm
- With Heat Detector
- For LPG / PNG
- Regular & Premium Models



FLASHER SIREN

- Sound & Flash Siren : 12 VDC
- Flashing Rate : 150 per minute
- Sound Level : 110+/-3(dB/1m)
- Dimension : 122*72*35mm



SPEAKER & MICROPHONE

- Operating Voltage : 12 VDC
- Mic Gain : 200 dB
- Input Gain : 20 dB
- Speaker Impedance : 4 Ohms
- RCA Connection
- Suitable for Any DVR Operation
- Specially Two-way Switch Voice Applications.
- Also has GSM-Based Device

V-Cop Silver GSM/PSTN/IP



V-Cop Silver Intrusion Alarm Panel is a sophisticated home/office/bank security system (also available in metal enclosure).

Specifications:

Input:

- 9 Wired (1 for Two Wire Conventional Smoke Detectors & 8 for Potential Free Contacts) & 32 Wireless Sensor Inputs
- Zone Name LCD + Tactile Keypad with 13 Keys
- Real Time Clock



Power Supply:

Adapter – 15 Vdc/1A/2A
Built-in Rechargeable Battery
Backup for about 12 Hrs

Indication:

LED Indication for following
a) Zone Trouble
b) System Disarmed
c) System Armed

Output:

16*2 Backlit LCD Display
Audio Buzzer Status Indication
Siren Output (for Two Sirens)

Optional:

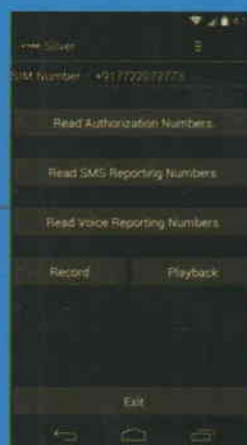
External Keypad
Support

- **V-Cop Silver PSTN:** 16 Sec. pre recorded voice message to 10 Phone Nos./ Optional Contact ID Connectivity to CMS
- **V-Cop Silver GSM:** 16 Sec. pre recorded voice message & 10 Phone Nos. for Voice Dialing, 10 Nos. for SMS Optional Contact ID or GPRS Connectivity to CMS

Size: 290×180×40mm (L x B x H)

Operating Temp: 0°C to 55°C

Humidity: 0 to 95% Rh.



Ideal for



Shops



Banks



Offices



Jewellers



Bungalows/Villas

V-Cop AVV



Specifications:

Input:

- 34 Wired Zone Inputs, Expansion upto 49 Zone, 32 Potential Free Contact Inputs for Intrusion Sensor
- 4 / 1 Conventional Smoke Detector Input (upto 20 nos of 2 wired detector)
- UPS & Mains Power Sensing
- *Upto 4 CCTV Camera Input
- *One Audio Microphone Input
- LCD/Keypad, 16 Characters, 2 Line LCD Display With Audio/Video Verification



Output:

Siren Output (Two Siren) PFC - 1 No.

Audio Buzzer Indication for Various Status
One Audio Speaker Output

Interface Options: RS232, RS485, Ethernet
Zone Expansion Card - 15 zones

Power Supply:

170-230VAC, 50/60Hz

Intermediate Supply -

with Built-in Rechargeable Battery Charger.

Backup for about 6-8 Hrs

Charger upto 24Ah Support

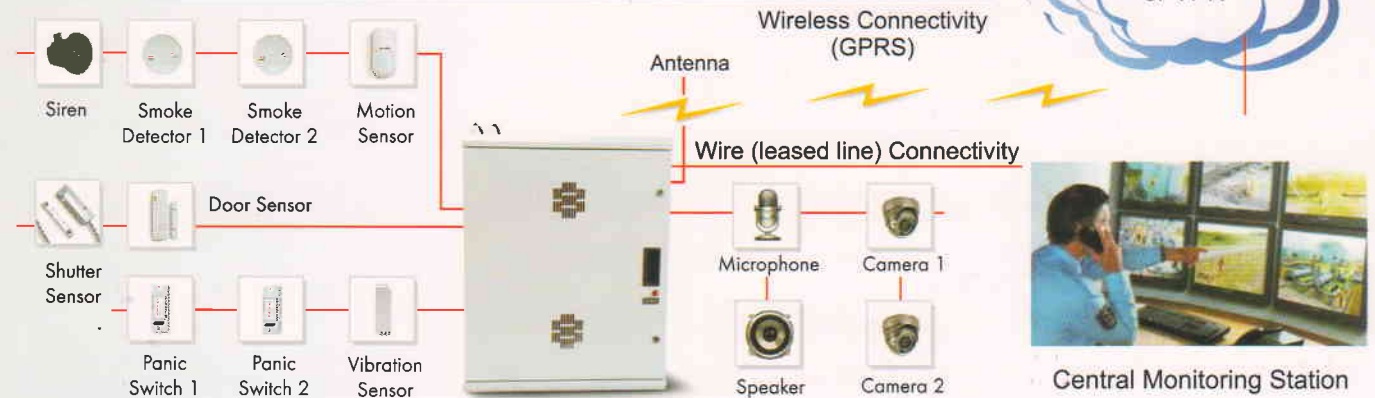
Mechanical & Enviro Specs:

Size: (600x120x625) mm (LxBxH)

Weight: 9 Kg (approx).

Operating Temp: 0° to 50°C

Humidity: 0 to 95% Rh.



Ideal for



Banks



Offices



Jewellers



Factories



Penthouses



Bungalows/
Villas

AD 4010/1010 GSM Auto Dialer (With Voice Messages + SMS)

Features

- 4 Inputs (Programmable NO or NC)
- 1 Voice Message (1 for Each Input)
- 4 SMS Messages (One for Each Input)
- 10 Telephone Nos. for Voice Message Reporting
- 10 Separate Mobile Phone Nos. for SMS Reporting
- Microprocessor Based System
- Can work with any mobile phone operator's GSM SIM
- Signal Strength Indication
- Status Indication

Common Specifications

- Quad-band 900/1800/1900 MHZ
- Compliant to GSM Phase 2/2+
- GPRS Multi-slot Class 10/8
- GPRS Mobile Station Class B

Working Conditions

- Temp: 0°C to 50°C
- Humidity: 0 to 95% RH
- Power Supply: 12VDC
- Power Consumption: <2W

Outputs

- Voice Reporting: 10 Tel. Nos.
- SMS Reporting: 10 Tel. Nos.

**Optional GPRS or
Contact ID
Connectivity to CMS**

Applications

- Intrusion Reporting
- Fire Reporting
- Water Flooding
- Control Applications
- Sensor Activation Reporting
- Product Failure Reporting
- HVAC Air Quality Applications
- Generator Fuel and Other Status
- Battery Status Reporting

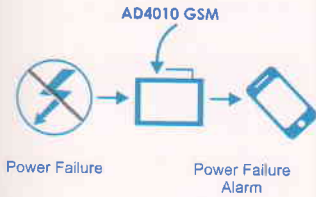


AD 4010 GSM BASED SOLUTIONS

Gate Automation



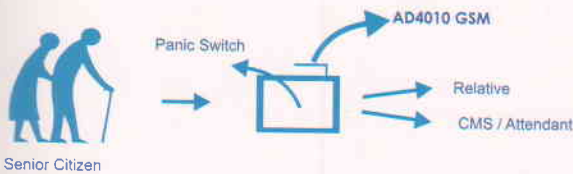
GSM - Power Failure & Restore Alarm



GSM - Guard Sleep Reporting



GSM - Senior Citizen Emergency



GSM - Temperature Monitoring



GSM - Air Conditioner IR Controller



AEMS Alarm & Emergency Monitoring System

ATM & Bank Branches
Safety / Security / Energy Monitoring



Senior Citizen Safety & Security



Fire Alarm & Fire Fighting Monitoring



Infrastructure Security & Remote Monitoring



AEMS Dashboard Reports - Help -

12/05/2014 12:33 PM 12/05/2014 12:31 PM 12/05/2014 12:31 PM

 Site No: 000004 Name: Crystal House Zone: 010101 Zone No: 015	 Site No: 000004 Name: Crystal House Zone: 0301 Zone No: 031	 Site No: 000002 Name: Crystal House Gate Zone: 000 Zone No: 000
 Site No: 000002 Name: Crystal House Gate Zone: 000 Zone No: 000	 Site No: 000002 Name: Crystal House Gate Zone: 000 Zone No: 000	 Site No: 000002 Name: Crystal House Gate Zone: 000 Zone No: 000

3 each Row

Location No	Location Name	Panel ID	Live Video	Location No	Location Name	Panel ID	Live Video
01	Crystal House Gate	000002	View	04	Factory	000003	View
05	CH-First Floor VCCP...	000005	View	02	CH-First Floor (VCC...	000006	View
06	Spring-AEMS	000006	View	03	Mapyn	000009	View

AEMS

AEMS Features :

- Ticket-based Alarm Monitoring
- Integrated Audio / Video
- Customer / Franchisee Database Management
- Customized Screen for Different Applications like Security, Fire, Energy, etc.
- Server + Original Windows Server Copy + Original Antivirus

OUR PRESENCE



Mumbai : +91 83800 68719	Nagpur : +91 7104 235216
Pune : +91 89757 60812	+91 7104 232292
Bengaluru : +91 99860 36911	

Dealers & Distributors Across India, Nepal, Sri Lanka, UK, USA, Philippines, New Zealand, Egypt, Nigeria, Oman, Qatar, Bahrain, & Saudi Arabia



Realty Automation & Security Systems Pvt. Ltd.

2nd Floor, Karanjkar Estate, Survey. No. 11/11 Nanded Gaon, Pune - 411 041
Phone No. +91 20 2439 4640 / +91 20 3292 2630 / +91 90110 33259/60

For More Information on Our Products,

